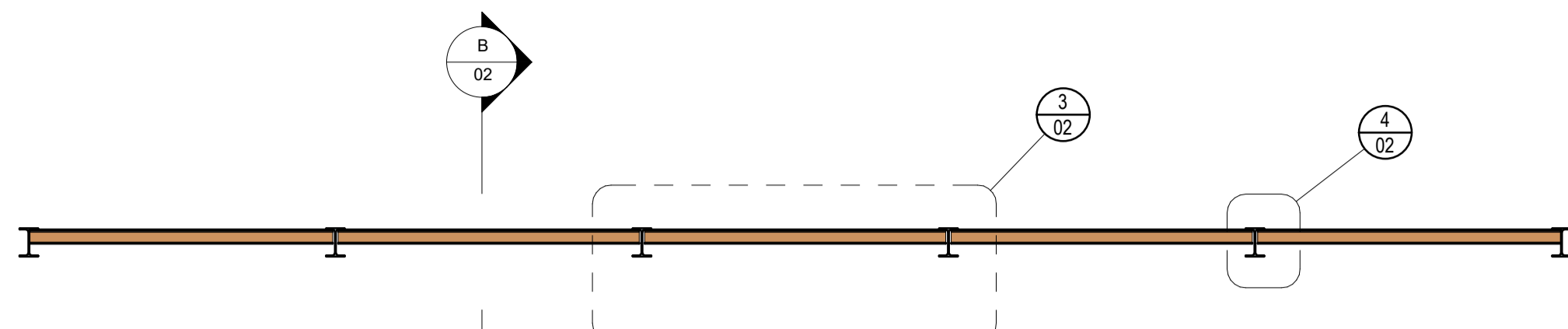


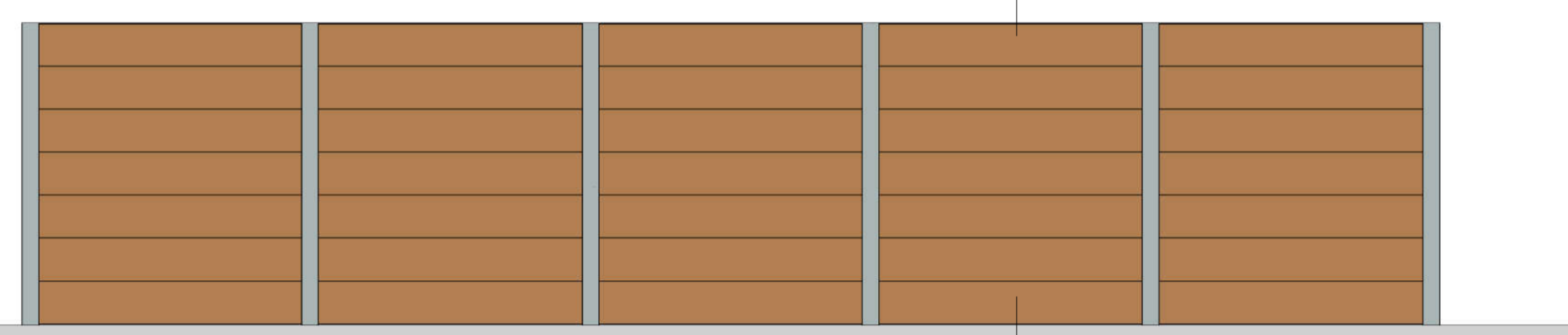
# SUPER SLEEPER

Composite Retaining Wall

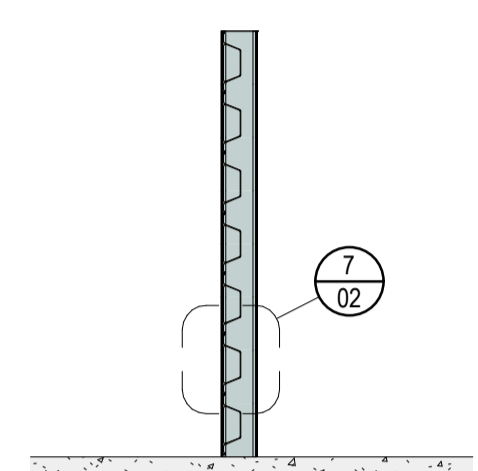




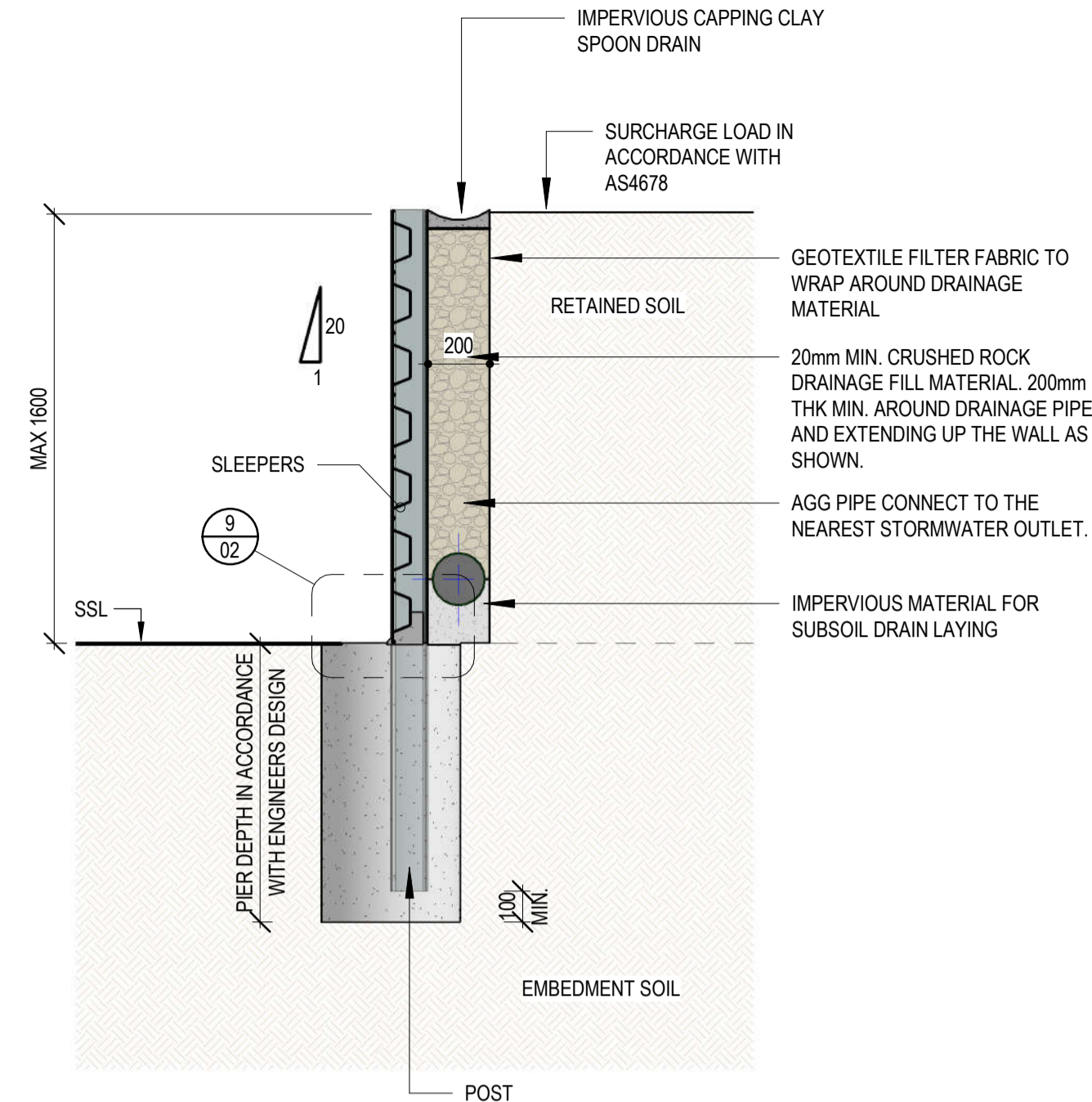
**1 FLOOR PLAN**  
(A1) 1:25



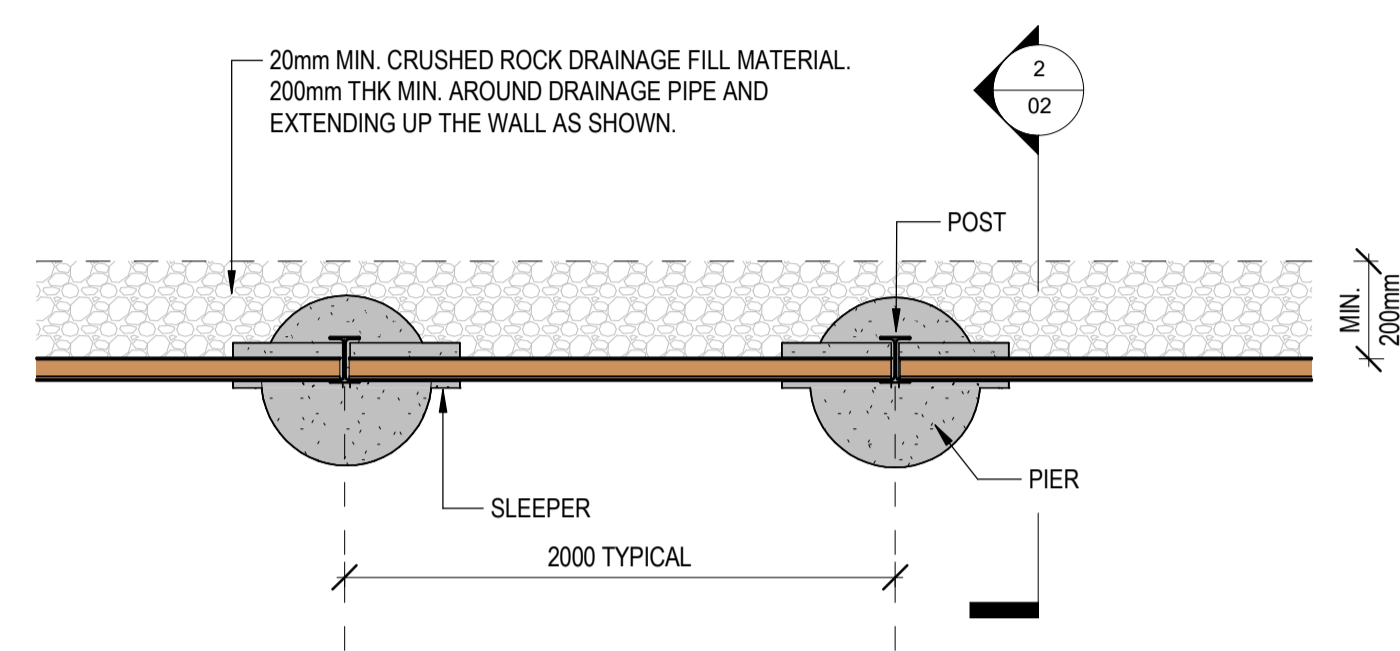
**A ELEVATION**  
(A1) 1:25



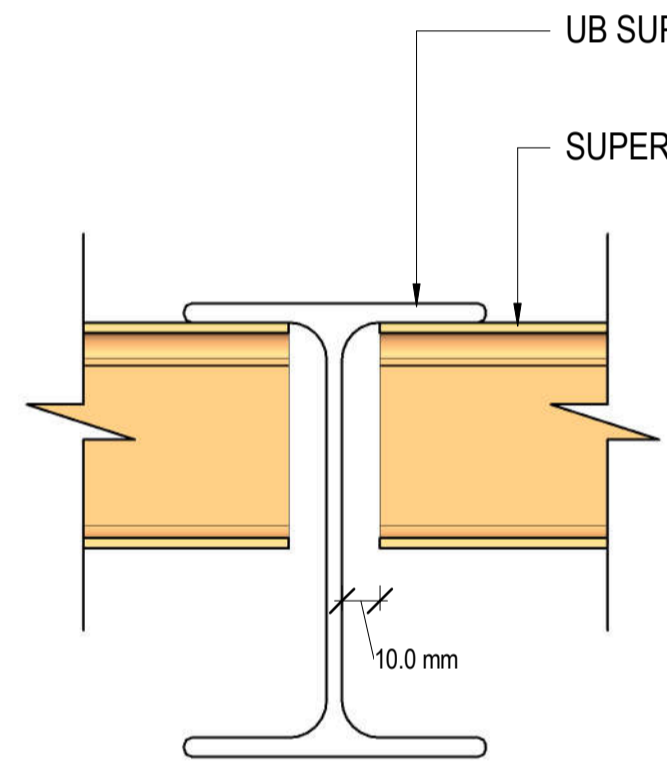
**B SEC-B**  
(A1) 1:25



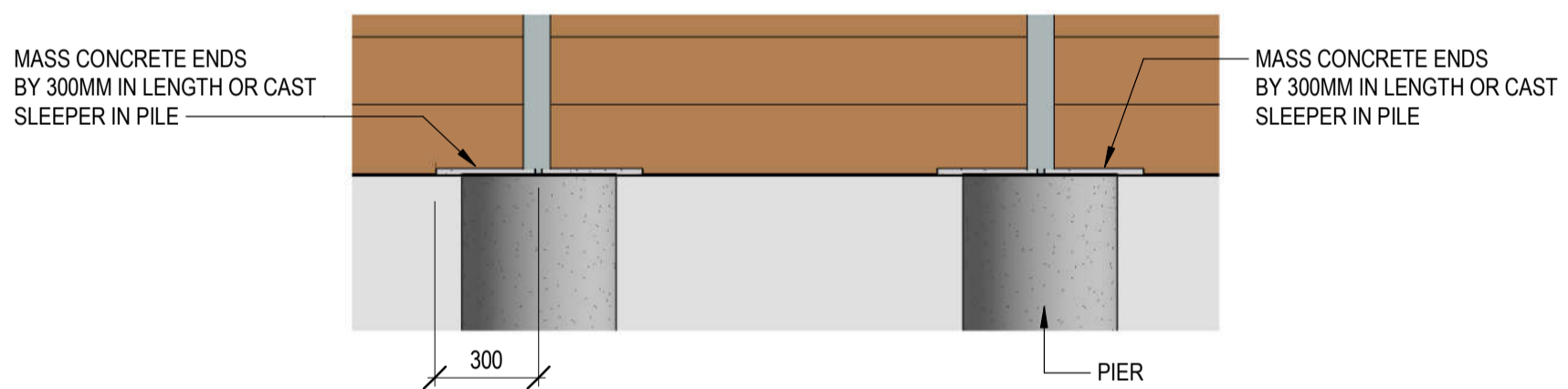
**2 SECTION B**  
(A1) 1:20



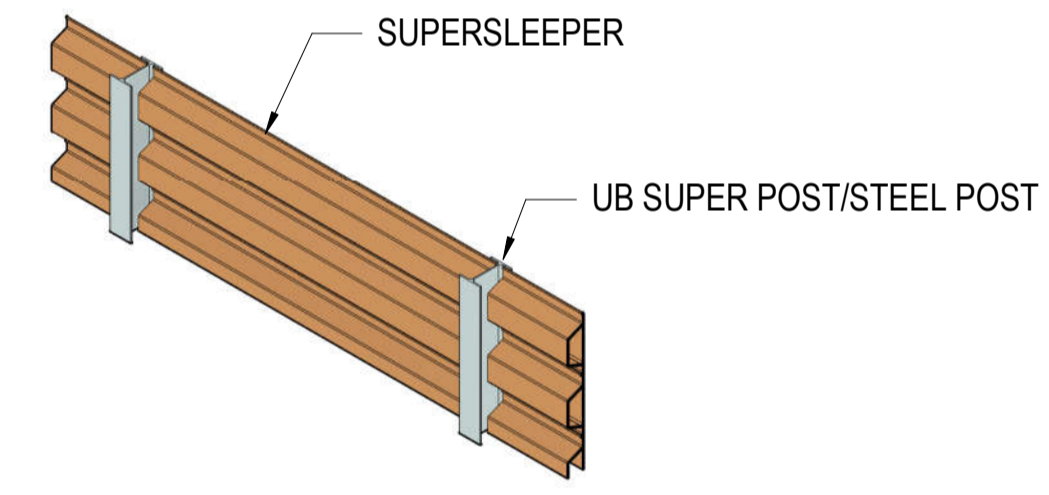
**3 FLOOR PLAN DETAIL**  
(A1) 1:20



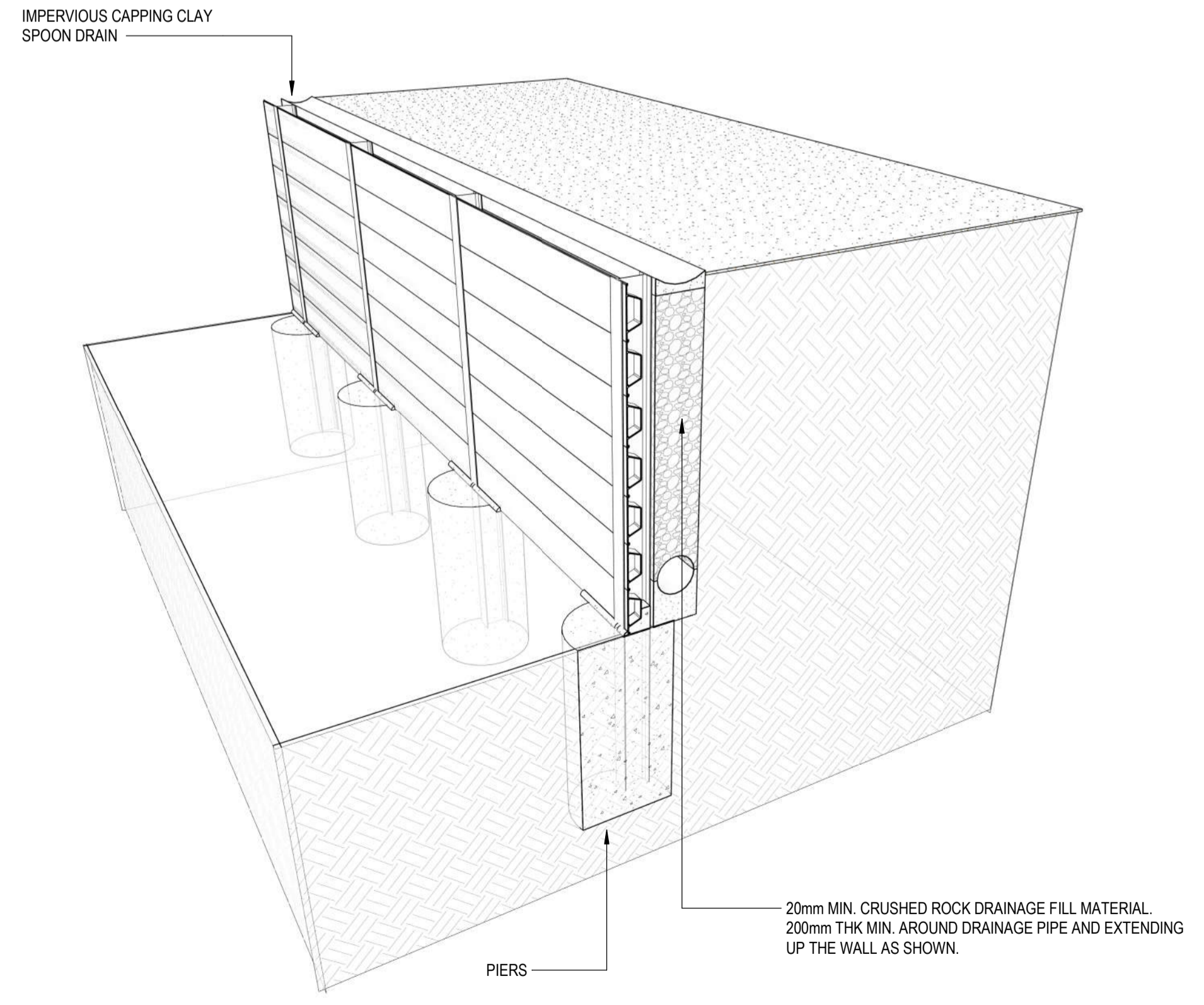
**4 POST DETAIL**  
(A1) 1:2



**5 BASE FIXING DETAIL**  
(A1) 1:20

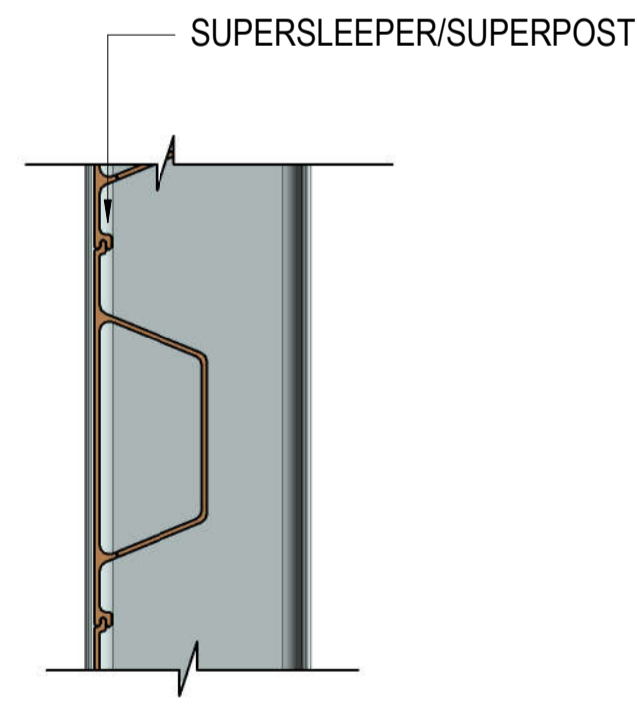


**6 3D DETAIL 1**  
(A1)

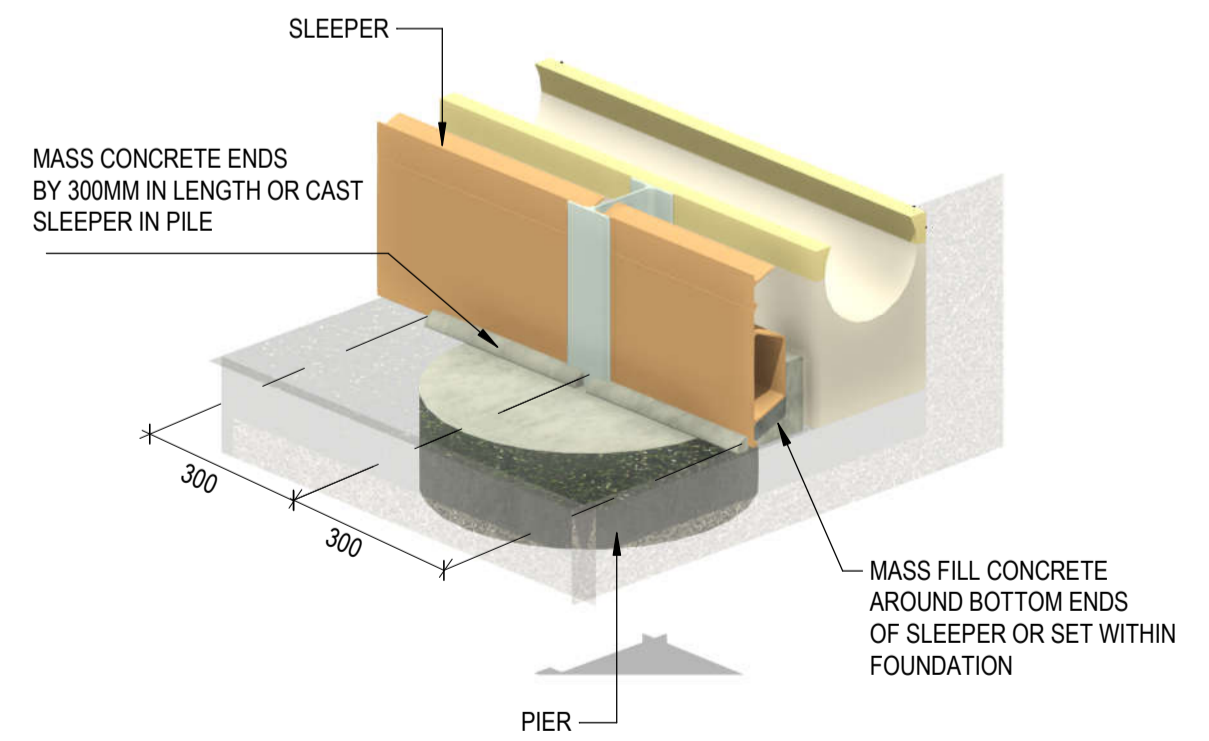


**10 3D SECTION**  
(A1)

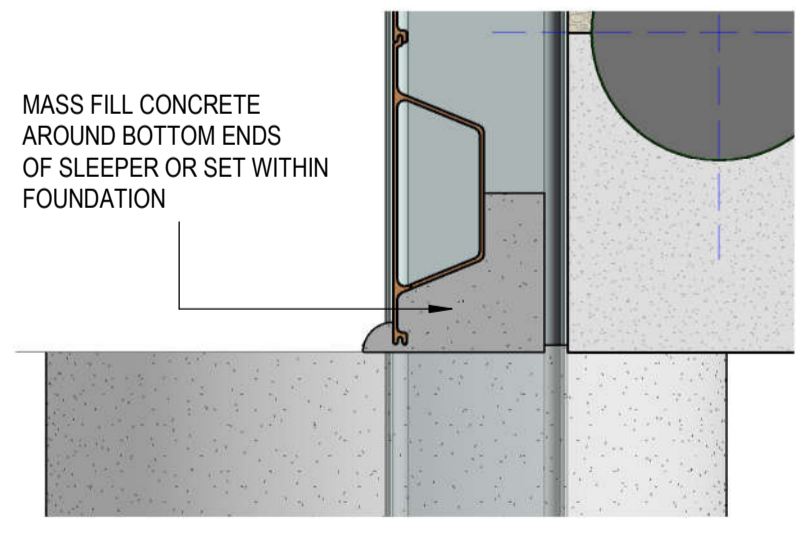
**EXTREMELY IMPORTANT NOTE TO INSTALLER IF IN DOUBT ASK!**



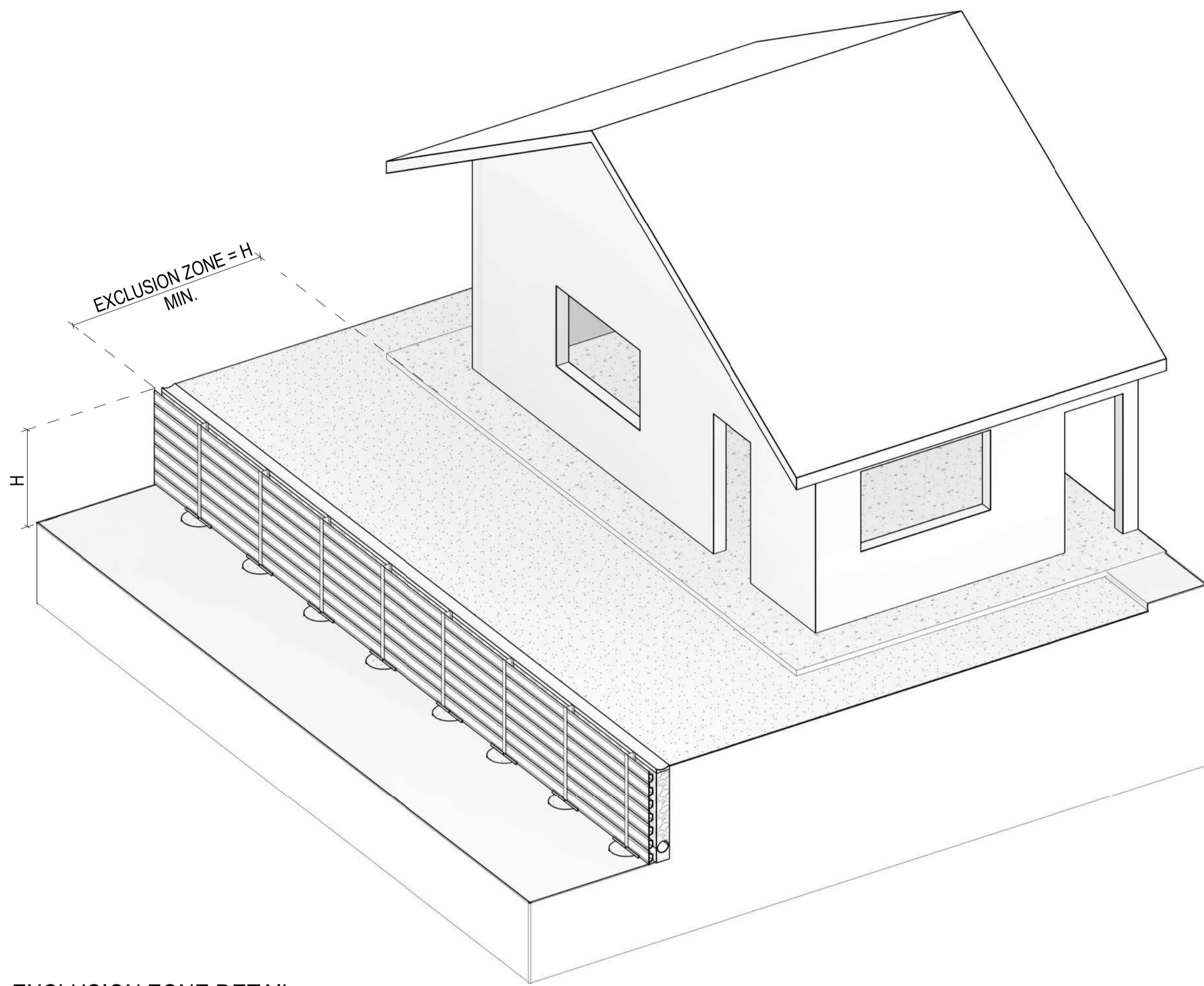
**7 SLEEPER DETAIL**  
(A1) 1:4



**8 BASE FIXING 3D DETAIL**  
(A1)

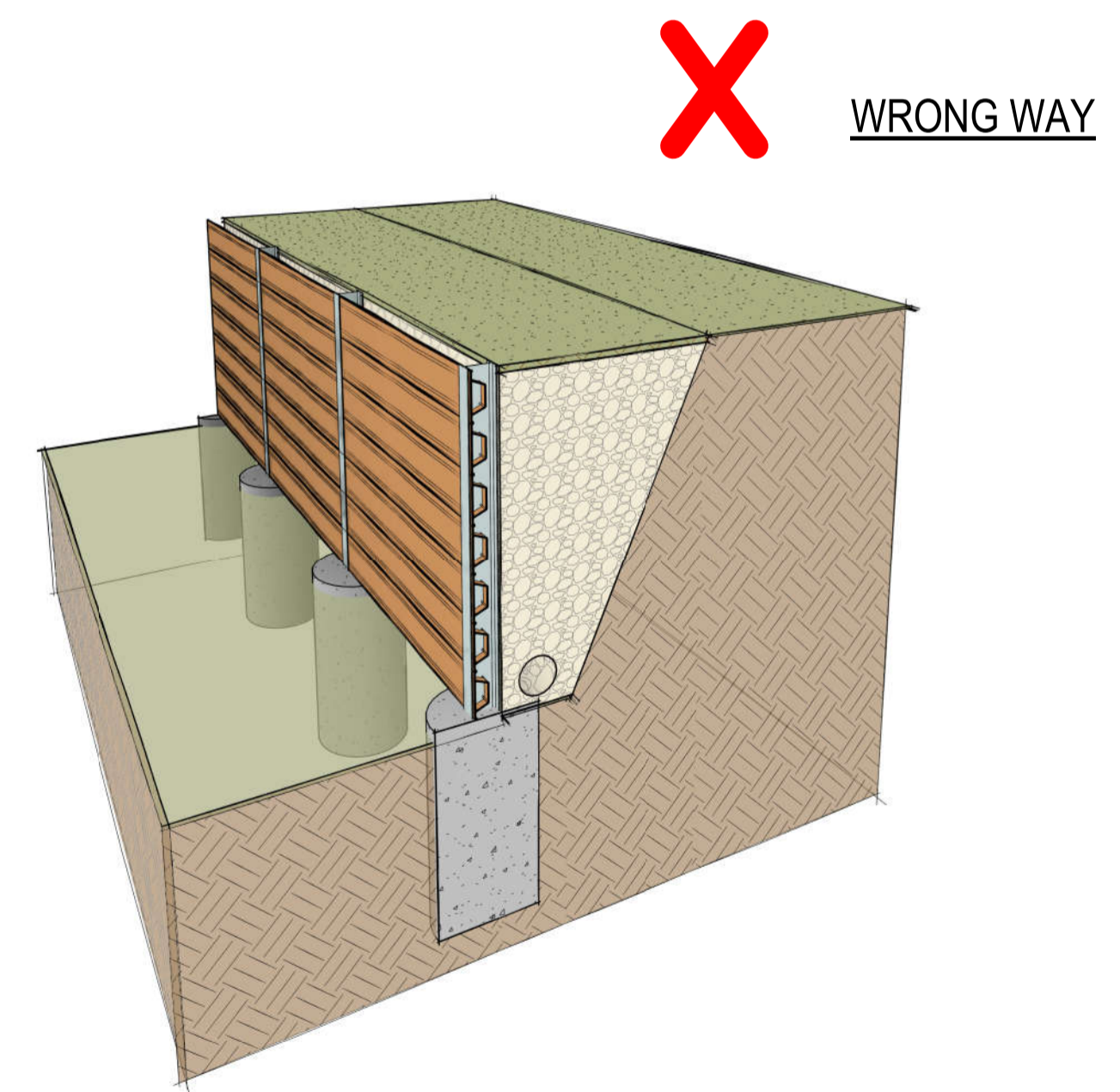
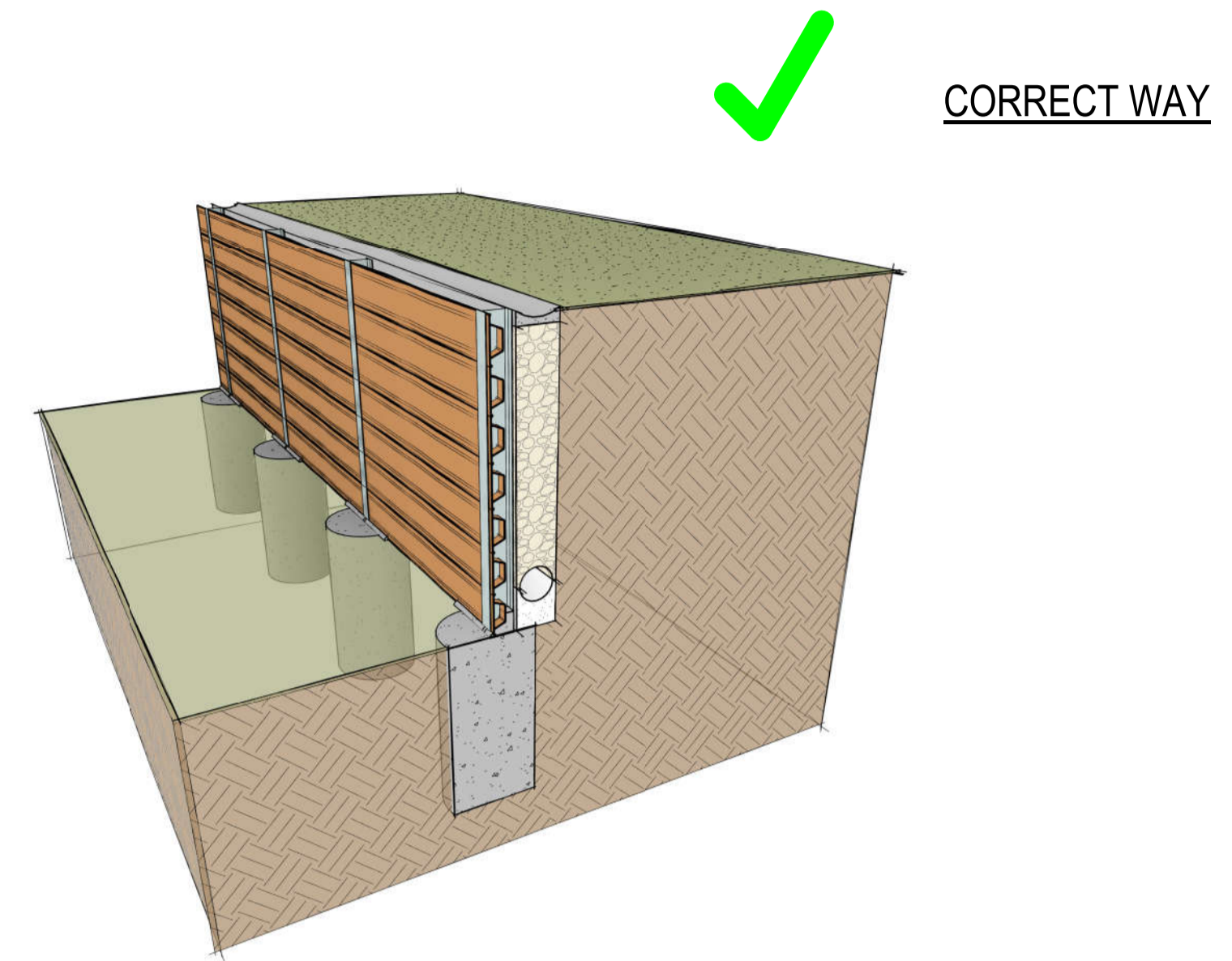


**9 BASE FIXING DETAIL**  
(A1) 1:5



**EXCLUSION ZONE DETAIL**  
SCALE:

**FREE DRAINING GRAVEL SETOUT**



DRAWING TITLE

ASSEMBLY CRITERIA AND RESTRICTIONS